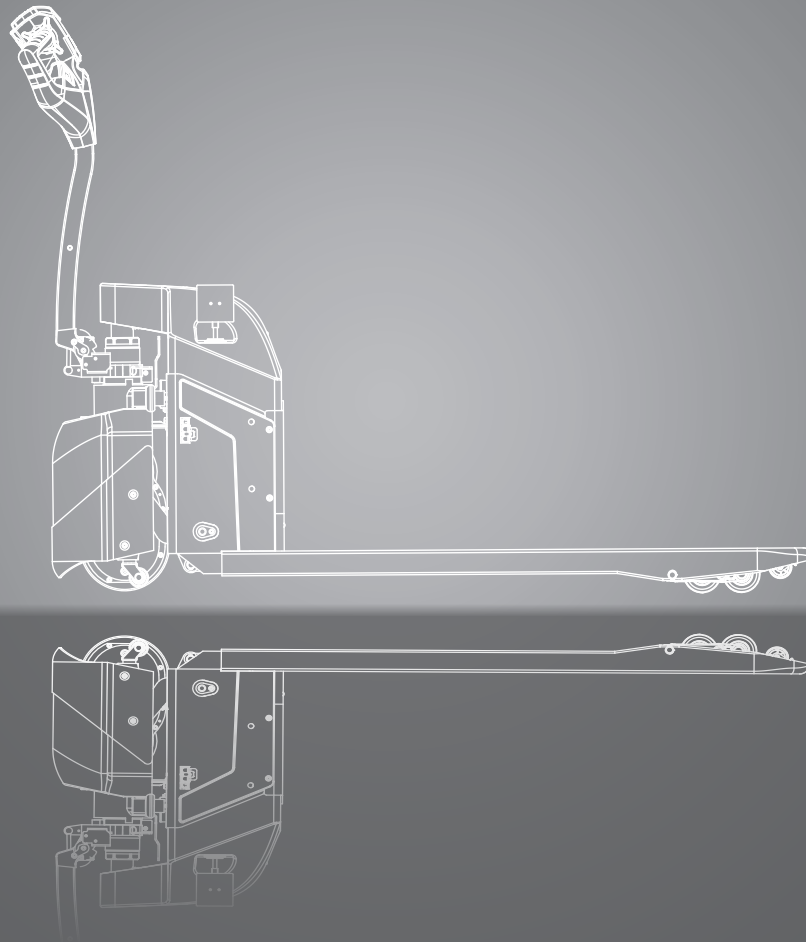


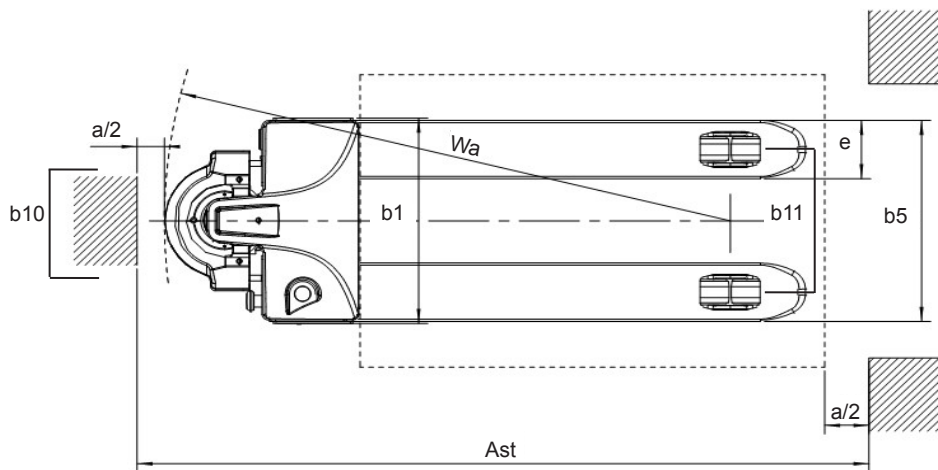
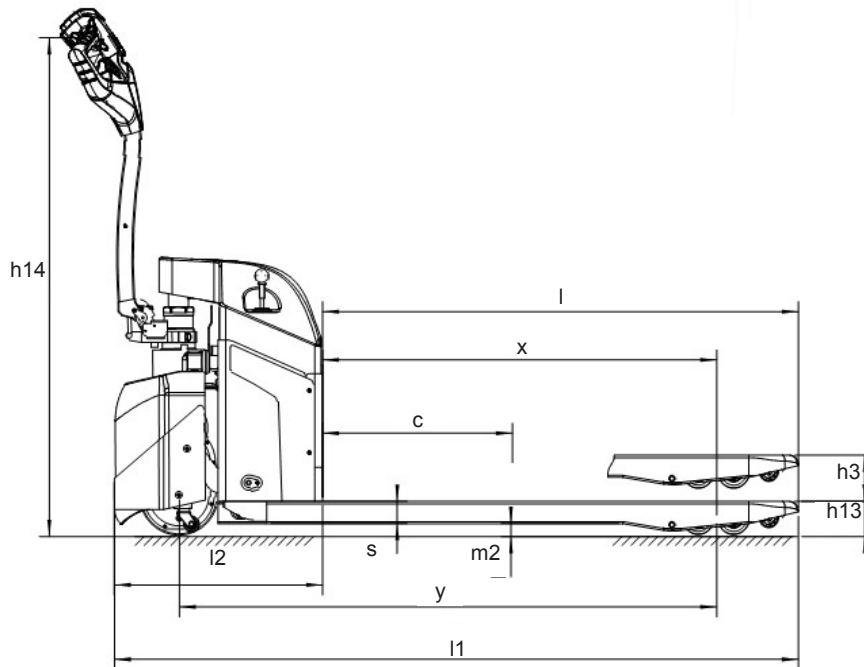
BPT15

Electric Low Lift Pallet Truck
1500 kg



DIMENSIONS

BPT15



For corresponding data see specification chart.

SPECIFICATIONS

Product specification acc. to VDI 2198

	1.1	Manufacturer (Abbreviation)	CLARK
Specifications	1.2	Manufacturer's designation	BPT15
	1.3	Drive unit	Electric-24V
	1.4	Operator type stand on/driver seated	Pedestrian
	1.5	Load capacity/rated load	Q (kg) 1500
	1.6	Load centre distance	c (mm) 600
	1.8	Load distance, centre of drive axle to fork face	x (mm) 951
	1.9	Wheelbase	y (mm) 1287
Weight	2.1	Service weight	kg 195
	2.2	Axle loading, laden front/rear	kg 495 / 1197
	2.3	Axle loading, unladen front/rear	kg 160 / 35
Tyres, Chassis	3.1	Tyres	Polyurethane
	3.2	Tyre size, front	Ø 195 x 70
	3.3	Tyre size, rear (single)	Ø 74 x 93
	3.4	Additional wheels	Ø 44 x 17
	3.5	Wheels, number front/rear (x = drive wheels)	1x+2/2 (4)
	3.6	Tread, front	b ₁₀ (mm) 284
	3.7	Tread, rear	b ₁₁ (mm) 390
Dimensions	4.4	Lift height	h ₃ (mm) 110
	4.9	Height drawbar in driving position min./max.	h ₁₄ (mm) 680/1200
	4.15	Lowered fork height	h ₁₃ (mm) 80
	4.19	Overall length	l ₁ (mm) 1654
	4.20	Length to face of forks	l ₂ (mm) 504
	4.21	Width	b ₁ (mm) 550
	4.22	Fork dimensions	s*e*l (mm) 50*160*1150
	4.25	Width across forks min/max	b ₅ (mm) 550
	4.32	Ground clearance centre of wheelbase	m ₂ (mm) 22
	4.34.1	Stacking aisle for pallets (l6 · b12) 1000 x 1200 across	Ast (mm) 2260
	4.34.2	Stacking aisle for pallets (l6 · b12) 800 x 1200 along	Ast (mm) 2128
4.35	Turning radius	Wa (mm) 1454/1424	
Performance	5.1	Travel speed laden/unladen	km/h 4.3 / 4.8
	5.2	Lift speed laden/unladen	m/s 0.025/0.030
	5.3	Lowering speed laden/unladen	m/s 0.035/0.025
	5.8	max. gradeability laden/unladen (S2 5 min.) *1	% 5/20
	5.10	Service brake	electro magnetic
Drive line	6.1	Drive motor output (S2 60 Min.)	kW 0.65
	6.2	Lift motor output S3 15 %	kW 0.8
	6.4	Battery voltage, nominal capacity K5	V/Ah 24/65
Misc.	8.4	Sound level, driver's ear DIN/EN 12053	dB (A) 70

*1 At friction coefficient $\mu=0.6$ with 1.6 km/h

All values shown are for standard lift truck with standard equipment. If the truck is supplied with options, values may change. The specifications apply under normal operating conditions. All values given may vary + 5 % and - 10 % due the motor and system tolerances and represent nominal values obtained under typical operating conditions. CLARK reserves the right to change products and specifications without prior notice.

EQUIPMENT EXTRAS

	Equipment feature	BPT15
General	Robust steel frame construction	•
	Low truck weight (205 kg)	•
	Electric driving, lifting and lowering	•
	Balanced weight distribution (lift hydraulics positioned above the battery)	•
	Clean cable routing with reduced mechanical wear	•
	Battery discharge indicator	•
Dimensions	Width across forks: 550 mm	•
	Width across forks: 680 mm	x
	Fork length: 1150 mm	•
	Fork length: 1220 mm	x
	Single fork rollers (Ø 74 mm x 93 mm)	•
	Tandem fork rollers (Ø 74 mm x 70 mm)	x
Battery and Charging Technology	GEL block battery (24 V / 65 Ah)	•
	Charger 24 V / 8 A (internal)	•
	Additional exchange batteries or chargers	x
Safety	Side support rollers	•
	Load backrest (1220 mm / 48")	x
	Load backrest (1525 mm / 60")	x

• = Standard equipment; x = Option

FEATURES & ADVANTAGES

BPT15

Safe and compact

- Compact Design for confined spaces
- Optional: load backrest for increased load security
- Side support rollers for smooth driving behaviour

Operation

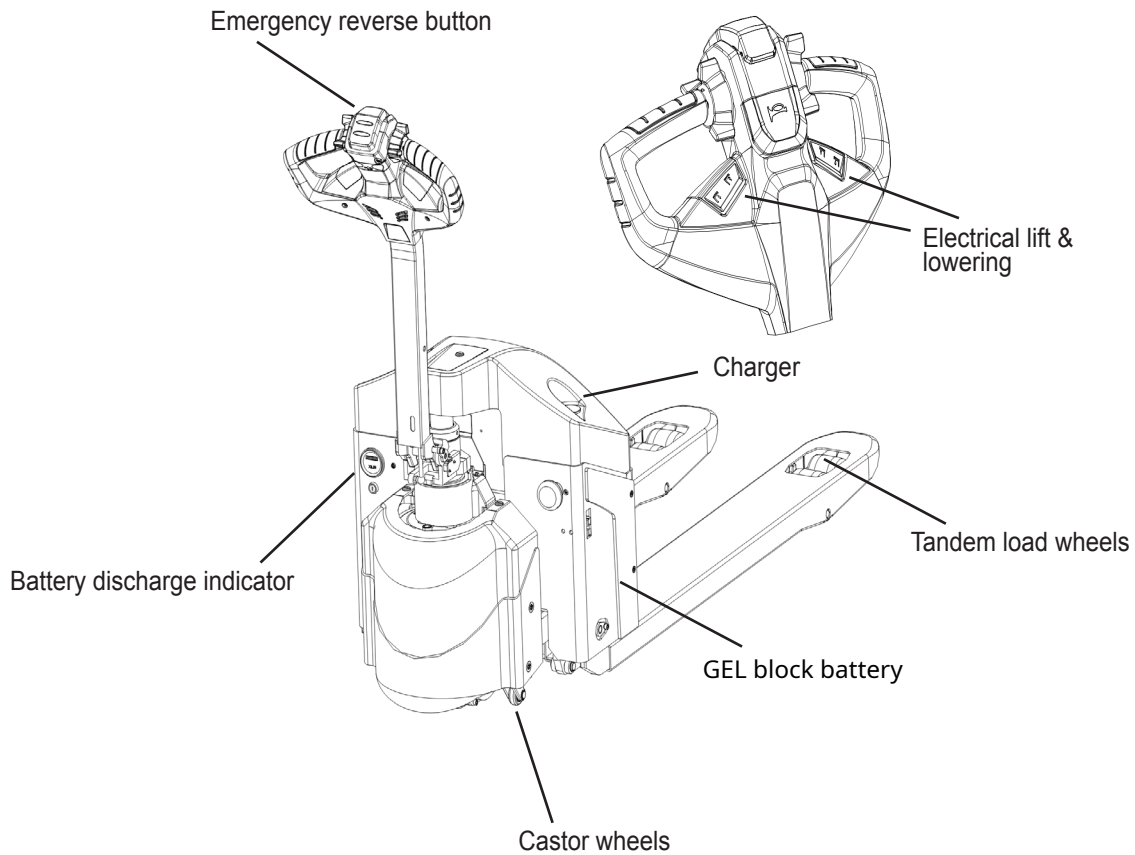
- Very good gradeability, loaded and unloaded
- Well-balanced weight distribution thanks lift hydraulics positioning above battery
- Battery discharge indicator
- Drive motor positioned higher for improved protection

Operator-friendly

- Easy handling
- Ergonomically positioned controls
- Suitable for left- and right-handed users

Maintenance-friendly

- Clean cable routing with reduced mechanical wear
- Side support roller removable for easier maintenance
- Low-maintenance GEL battery technology



PRODUCT DESCRIPTION



BPT15

BPT15 - Compact and robust

The BPT15 is a compact and reliable low lift pallet truck for daily use in warehouses, retail and light industrial applications. It is ideal for short transport distances and straightforward goods handling tasks. Its electric driving and lift functions make work easier and support ergonomic operation.

The robust design and stable frame construction support a long service life. Thanks to its compact design, the BPT15 remains easy to manoeuvre even in confined areas.

Easy Maintenance

The BPT15 is designed to minimise maintenance requirements. Key components are easy to access, which supports quick checks and straightforward service work.

The drive motor is positioned high and is therefore better protected from water, dust and dirt. This supports reliable operation in daily use.

A key advantage is the well-balanced weight distribution. The lift hydraulics are positioned above the battery rather than behind it. This supports a balanced truck layout and clean cable routing. The cables are better protected against mechanical wear. Maintenance-related components are easy to access.

Operator-friendly

The BPT15 is designed for particularly easy operation. The tiller arm integrates key functions such as driving, lifting, lowering and emergency stop. Direct driving control supports precise load positioning.

The BPT15 can be optionally equipped with a load backrest, which increases safety when transporting higher or less stable loads.

Thanks to the small turning radius, the truck is well suited to narrow working areas such as sales floors, tight aisles or lorry loading bays. Side support rollers reduce lateral movement and support smooth, stable driving behaviour.

Battery Technology

The BPT15 is equipped with a low-maintenance GEL block battery. This technology is robust and well suited to light to medium-duty applications. The battery is charged using an internal charger.

GEL batteries are resistant to environmental influences and do not require extensive maintenance. This keeps the BPT15 simple to operate and cost-efficient to maintain.

Dealer:

CLARK Europe GmbH
Dr.-Alfred-Herrhausen-Allee 33
47228 Duisburg / Germany
Tel.: +49 (0)2065 499 13-0
Fax: +49 (0)2065 499 13-290
E-Mail: Info-europe@clarkmheu.com
www.clarkmheu.com

Valid for Lot-no.: 13018