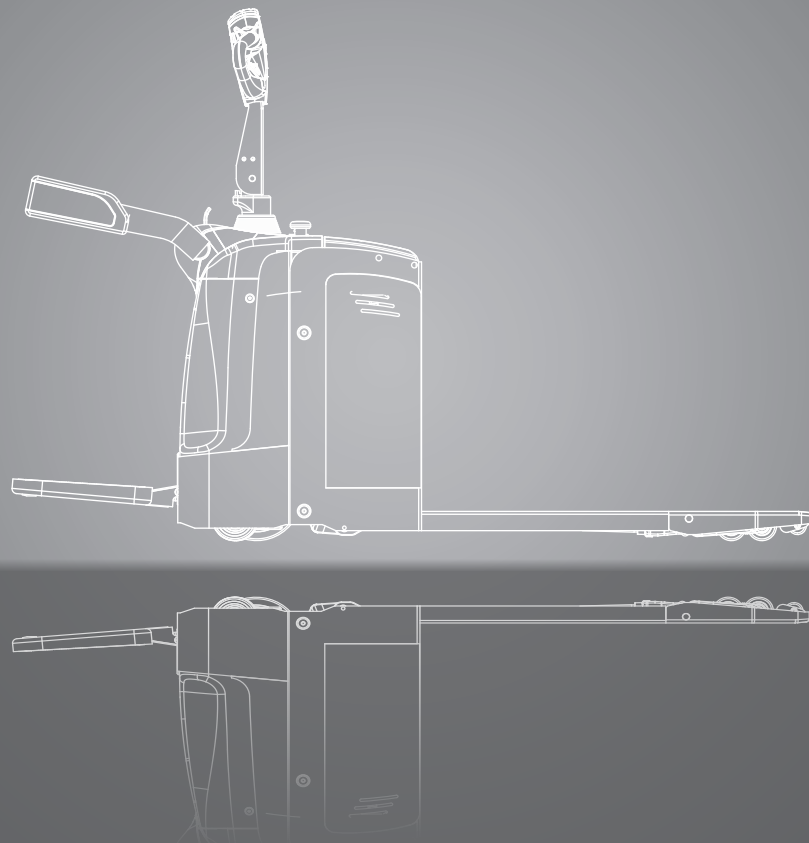


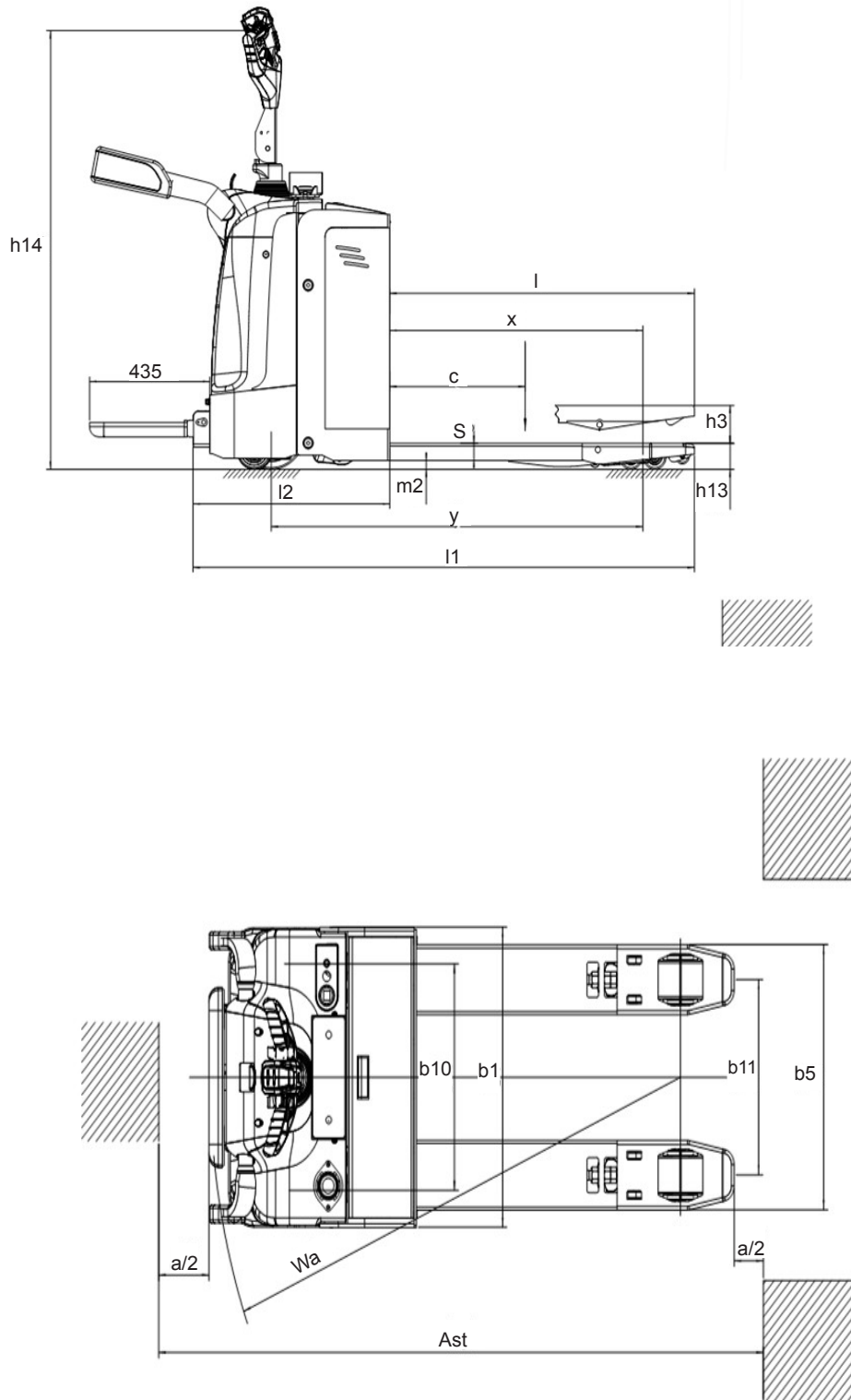
RPE20

Lithium-Ion Powered Low Lift Pallet Truck
2000 kg



DIMENSIONS

RPE20



For corresponding data see specification chart.

SPECIFICATIONS

Product specification acc. to VDI 2198

	1.1	Manufacturer (Abbreviation)	CLARK
Specifications	1.2	Manufacturer's designation	RPE20
	1.3	Drive unit	Electric-24V
	1.4	Operator type stand on/driver seated	Stand
	1.5	Load capacity/rated load	Q (kg) 2000
	1.6	Load centre distance	c (mm) 600
	1.8	Load distance, centre of drive axle to fork face	x (mm) 964
	1.9	Wheelbase	y (mm) 1390
Weight	2.1	Service weight	kg 840
	2.2	Axle loading, laden front/rear	kg 1235 / 1605
	2.3	Axle loading, unladen front/rear	kg 680 / 160
Tyres, Chassis	3.1	Tyres	Polyurethane
	3.2	Tyre size, front	Ø 250 x 100
	3.3	Tyre size, rear	Ø 82 x 126/ (98)
	3.4	Additional wheels	Ø 127 x 57
	3.5	Wheels, number front/rear (x = drive wheels)	1x+2/2 (4)
	3.6	Tread, front	b ₁₀ (mm) 537
	3.7	Tread, rear	b ₁₁ (mm) 370
Dimensions	4.4	Lift height	h ₃ (mm) 120
	4.9	Height drawbar in driving position min./max.	h ₁₄ (mm) 1050/1380
	4.15	Lowered fork height	h ₁₃ (mm) 82
	4.19	Overall length	l ₁ (mm) 1835
	4.20	Length to face of forks	l ₂ (mm) 685
	4.21	Width	b ₁ (mm) 775
	4.22	Fork dimensions	s*e*I (mm) 54*180*1150
	4.25	Width across forks min/max	b ₅ (mm) 550
	4.32	Ground clearance centre of wheelbase	m ₂ (mm) 28
	4.34.1	Stacking aisle for pallets (l6 · b12) 1000 x 1200 across	Ast (mm) 2525
	4.34.2	Stacking aisle for pallets (l6 · b12) 800 x 1200 along	Ast (mm) 2385
4.35	Turning radius	Wa (mm) 1725	
Performance	5.1	Travel speed laden/unladen	km/h 9.5 / 10
	5.2	Lift speed laden/unladen	m/s 0.05/0.06
	5.3	Lowering speed laden/unladen	m/s 0.09/0.07
	5.8	max. gradeability laden/unladen (S2 5 min.) *1	% 8/20
	5.10	Service brake	electro magnetic
Drive line	6.1	Service brake (S2 60 Min.)	kW 3
	6.2	Lift motor output S3 15 %	kW 1.2
	6.4	Battery voltage, nominal capacity K5	V/Ah 24/230
	6.5	Battery weight	kg 85
Misc.	10.7	Sound level, driver's ear DIN/EN 12053	dB (A) 70

*1 At friction coefficient $\mu=0.6$ with 1.6 km/h

All values shown are for standard lift truck with standard equipment. If the truck is supplied with options, values may change. The specifications apply under normal operating conditions. All values given may vary + 5 % and - 10 % due the motor and system tolerances and represent nominal values obtained under typical operating conditions CLARK reserves the right to change products and specifications without prior notice.

EQUIPMENT EXTRAS

	Equipment feature	RPE20
General	Robust steel frame construction	•
	Robust lift mechanism	•
	Adjustable push rods	•
	Electric driving, lifting and lowering	•
	Battery discharge indicator with colour display	•
Dimensions	Width across forks: 550 mm	•
	Width across forks: 685 mm	x
	Fork length: 1150 mm	x
	Fork lengths: 800/900/1100/1220/1600/1800/2400 mm	x
	Single fork rollers (Ø 82 mm x 126 mm)	•
	Tandem fork rollers (Ø 82 mm x 98 mm)	x
	Rubber drive roller	x
Battery and Charging Technology	Battery 24 V / 230 Ah Li-Ion + Charger 24 V / 100	•
	Additional exchange batteries or chargers	x
Safety and Operation	Side support rollers	•
	Activation via key switch	•
	Activation via PIN code	x
	Climbing rollers / guide rollers	•
	A4 document holder	x
	Stretch film roll holder	x
	Warning light (orange)	x
	USB charging port	•
	Load backrest (1220 mm / 48")	x
	Load backrest (1525 mm / 60")	x

• = Standard equipment; x = Option

FEATURES & ADVANTAGES

RPE20

Fast and comfortable

- Fold-down operator platform for ride-on operation
- Electric power steering (servo-assisted) as standard
- Automatic speed reduction when cornering
- Vertically folding safety bars with soft padding
- Optional: PIN code activation
- Optional: warning light (orange)

Operation

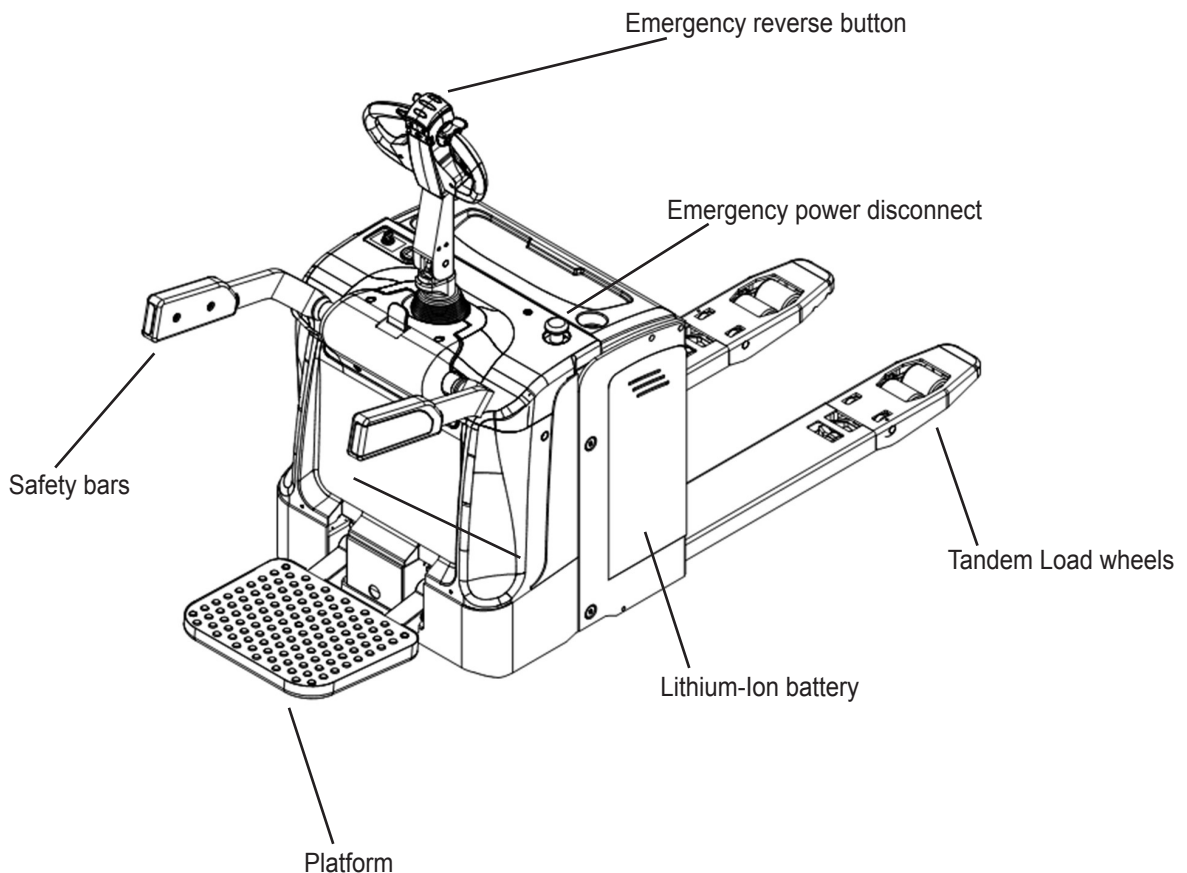
- Standard 3.0 kW drive motor
- High driving speed as standard
- Suspended, large and non-slip operator platform
- Platform stay-down function via microswitch
- High traction through suspended drive frame

Operator-friendly

- Colour display on the bonnet
- USB charging port as standard
- Cup holder and storage compartment as standard
- Ergonomically positioned controls
- Suitable for left- and right-handed users
- Optional: stretch film roll holder
- Optional: A4 document holder

Maintenance-friendly

- Adjustable push rods
- Quick and tool-free battery replacement
- Easy access to components for service and maintenance



PRODUCT DESCRIPTION



RPE20

RPE20 - Safe and comfortable

The CLARK RPE20 was developed for fast and comfortable goods transport over medium and long distances. The fold-down operator platform makes the truck highly versatile for both pedestrian and ride-on operation.

The CLARK RPE20 achieves a high driving speed as standard – up to 9.5 km/h when loaded and up to 10 km/h when unloaded. This is supported by the standard 3.0 kW drive motor, providing strong acceleration and smooth driving performance. Automatic speed reduction in cornering supports a high level of driving safety.

The combination of power steering, platform suspension and high traction provides confident, controlled handling—even in dynamic applications. The suspended drive frame increases drive wheel contact pressure and provides excellent traction, even with heavy loads or challenging floor conditions.

Operator-friendly

The CLARK RPE20 is designed for comfort and control. Electric power steering (servo-assisted) as standard enables smooth steering with minimal effort.

The suspended operator platform reduces shocks and supports comfort over longer distances. The platform is large and non-slip for secure footing. The side safety bars fold vertically and feature soft, easily replaceable padding. An integrated colour display provides clear information on truck and battery status. A USB charging port, a cup holder and a storage compartment are also integrated as standard.

A microswitch under the platform enables a standby function: the platform remains in the lowered position without folding up automatically. This is particularly practical when frequently getting on and off the truck. Optional PIN code activation is available for access control.

Li-Ion Technology

The CLARK RPE20 is equipped with a lithium-ion battery (24 V / 230 Ah) as standard. It is maintenance-free, durable and can be opportunity charged at any time without reducing service life. In combination with the external quick charger (24 V / 100 A), the truck can be ready for use again in a short time.

Li-ion technology supports high energy availability, consistent performance and reliable multi-shift operation.

Easy Maintenance

The CLARK RPE20 features a low-maintenance layout. Components are arranged for straight-forward service access. Adjustable push rods allow the service technician to restore lift synchronisation precisely without replacing parts.

The suspended drive frame protects drive components from shocks and helps reduce wear. This supports lower maintenance effort and improved cost efficiency over the truck's service life.

CLARK Europe GmbH
Dr.-Alfred-Herrhausen-Allee 33
47228 Duisburg / Germany
Tel.: +49 (0)2065 499 13-0
Fax: +49 (0)2065 499 13-290
E-Mail: Info-europe@clarkmheu.com
www.clarkmheu.com

Dealer:

03/2026

Valid for Lot-no.: 13016